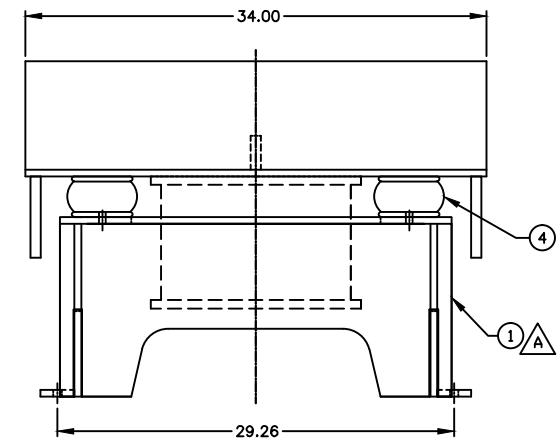
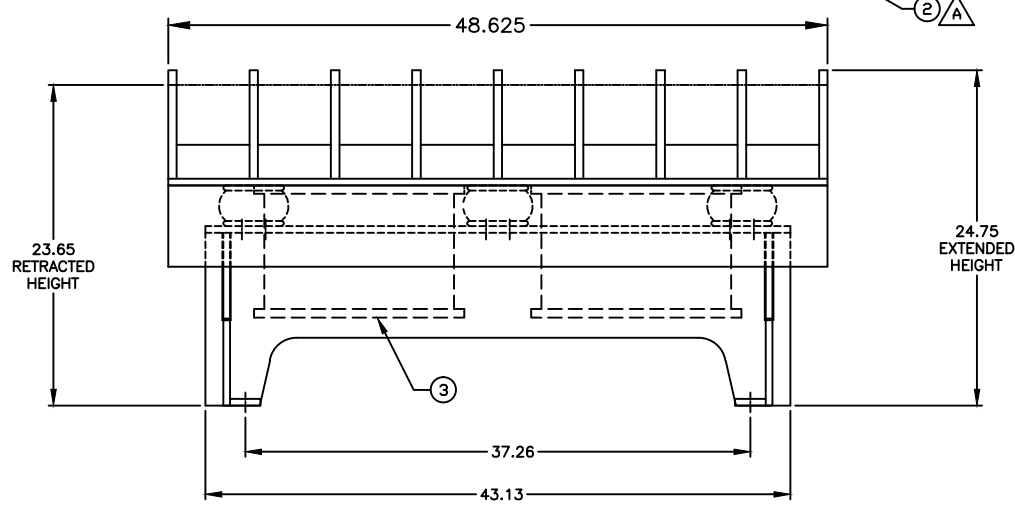
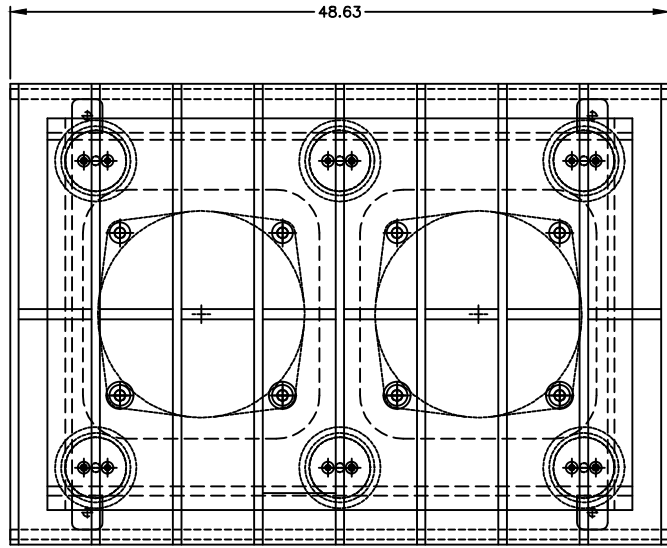


ITEM	QTY.	PART NO.	DRAWING NO.	PG. NO.	DESCRIPTION
1	1	-	V10085	1-4	BASE WELDMENT
2	1	-	V10086	1-4	LIFT BAR WELDMENT
3	2	001443	-	-	VIBRATOR
4	6	000508	-	-	AIR BAG



SAMPLE DRAWING
 FOR QUOTATION
 PURPOSES ONLY

CONFIDENTIAL		PALMER		18 BECHTLE AVENUE SPRINGFIELD, OHIO 45504 U.S.A. (937) 323-6339 OR 1-800-487-6466	
THIS DOCUMENT, INCLUDING ALL INFORMATION HEREIN, IS THE EXCLUSIVE AND CONFIDENTIAL PROPERTY OF PALMER MANUFACTURING. THEREFORE THIS DOCUMENT IS NOT TO BE COPIED, REPRODUCED, OR DELIVERED TO OTHERS WITHOUT THE EXPRESS WRITTEN PERMISSION OF PALMER.		MANUFACTURING & SUPPLY, INC.		DRAWN BY: BOWSMAN	
SCALE: NONE		DATE: 11-1-06		REV. #	
TITLE: V3000-I COMPACTION TABLE		PREVIOUS REV. #		REV. #	
N/A		V10081		A	
OVERALL ASSEMBLY				1	